

# AUTOMATIC SWING TYPE FIRE HOSE REEL

## GENERAL

**GF-19-AST-2** (19mm) and **GF-25-AST-2** (25mm) swing/recess type, automatic operated fire hose reel are manufactured within a strict quality controlled environment to ISO 9001:2008 and conformed to BS EN 671-1 specifications.

The elegant design with double pivoted joints allows the installer the flexibility to fix the hose reel at the back wall or at either left or right side wall mounting. This installation flexibility greatly helps designers in deciding the appropriate size of the recessed hose reel compartment, especially in areas where space constraints are critical.

Another unique feature in the hose reel design is the "slide-in" wall mounting bracket which is a separate strong and rigid galvanised steel bracket that is initially installed onto the concrete wall without the hose reel.

The complete hose reel is then "slide in" from the top and sits in a fitting and rigid position. The water supply piping is then connected to the inlet of the hose reel.

The materials used in the manufacture of the fire hose reel are of the highest quality such as the combination of Grade 304 stainless steel, high grade aluminium alloy and/or LG2 gunmetal waterway assembly all of which are corrosion resistant and of high impact strength. The fire reel discs are pressed steel of 1.2mm thickness and epoxy/polyester powder coated. The hub is made of deep drawn galvanised steel.

## FEATURES

- Elegant and compact design.
- Robust construction
- Easy and flexible installation
- Reliable performance with minimum maintenance



**GF-19-AST-2**

**-Maximum length of hose according to BS EN671-2 is 30 metres.**



BSI Kitemark 634658

## STANDARD ACCESSORIES

- 30 metre long, EN 694 hose
- Open/shut, 6mm orifice twist operated jet stream nozzle
- Brass stopcock or lever ball valve\*
- Zinc plated hose clamps
- Galvanized steel nozzle holder

## OPTIONAL

- 20 & 25 metre length hoses are also available\*
- Open/shut, 6mm and 8mm dia orifice, rotary operated spray/jet nozzle
- Galvanized iron union coupling fitting

## OPERATING TEST PRESSURES

Working pressure: 12 bars (max)

Test pressure: 18 bars

## PERFORMANCE DATA

Hose size / Nozzle orifice (mm)		GF-19-AST-2		GF-25-AST-2	
		Jet	Spray	Jet	Spray
Flow type					
Throw Range (M)		10.3	9.4	11.2	7.9
Discharge Flowrate (L/min)	0.2MPa	28	28	45	48
	0.4MPa	38	42	67	64
	0.6MPa	46	47	76	75

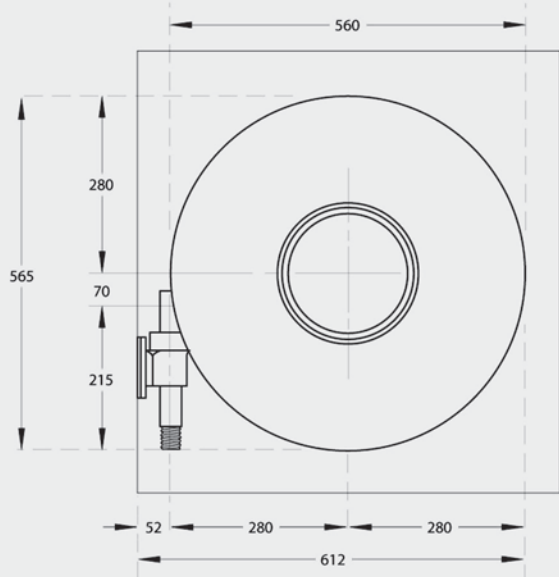
\*As per buyer's requirement



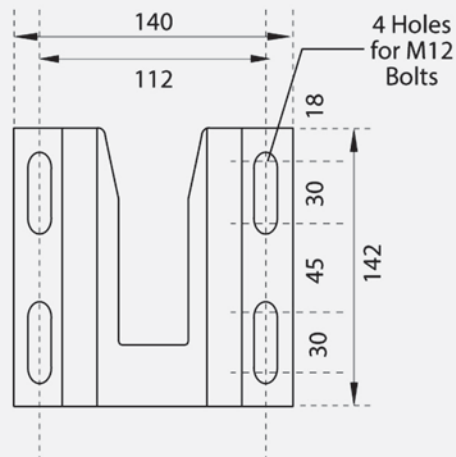
BSI Kitemark 634658

# AUTOMATIC SWING TYPE FIRE HOSE REEL

## FRONT VIEW

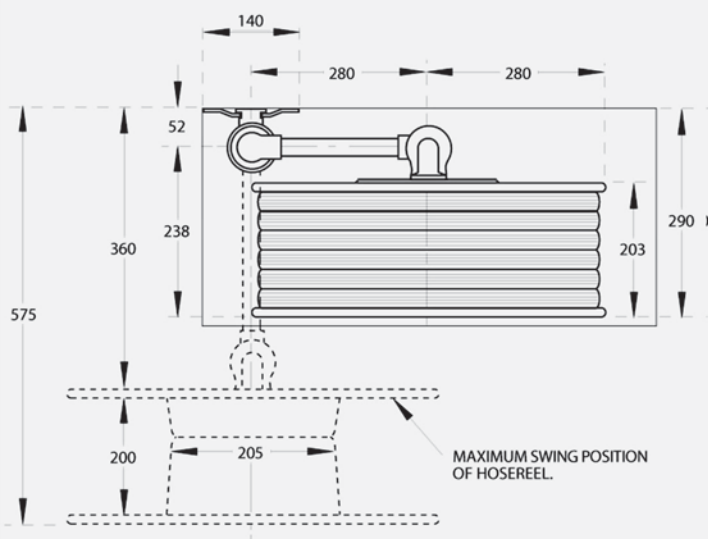
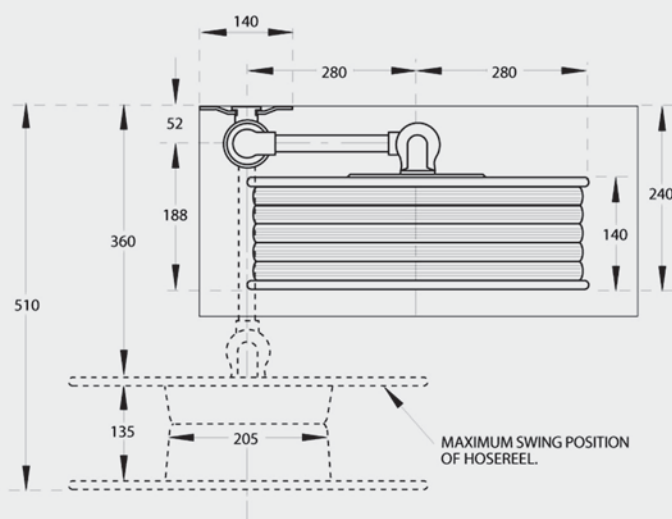
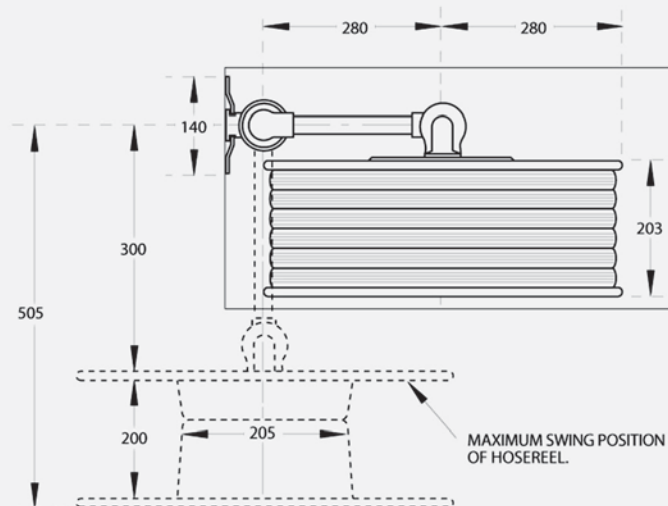
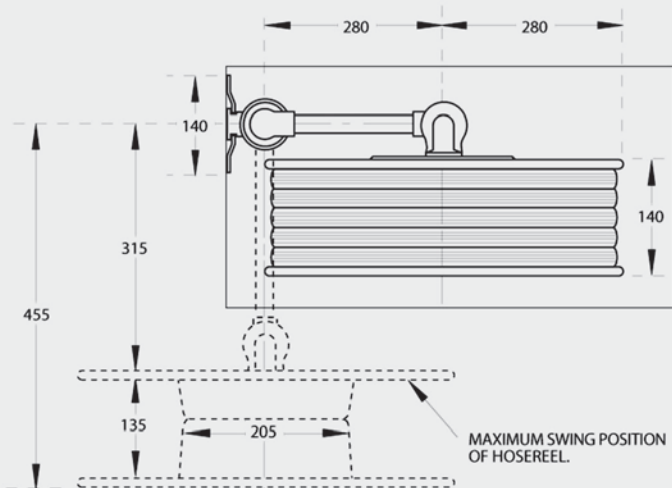


## WALL MOUNTING PLATE



### 19mmØ x 30m

### 25mmØ x 30m



\*All dimensions are shown in millimeters

\*Due to improvement in design and standard, we reserve the right to change the specifications without prior notice



BSI Kitemark 634658