

GLOBE PATTERN LANDING VALVES SCREW INLET TYPE

GENERAL

GFIRE range of 65mm "low-pressure" globe pattern landing valves with screw inlet connection comes in four different configurations namely, GF-S-65OBLP "Oblique", GF-S-65RALP "Right-Angle", GF-S-65BNLP "Bib-Nose" and GF-S-65HRLP "Horizontal" patterns.

The design and construction of the landing valves are strictly in accordance with BS5041 : Part 1 : 1987 & generally to BS5154 : 1991 standards. The valves are suitable for both on-shore and off-shore fire protection applications.

The shut-off of the valve for good water-tight sealing is done by using a high quality rubber bonded seat disc which acts as a primary rubber to metal seal, whilst a secondary metal to metal shut-off is also incorporated in the design of the valve.

Every landing valve manufactured is hydrostatically tested to 16.5 bars and 22.5 bars for the valve seat and body respectively. The internal casting finishes of every valve is of high quality ensuring a low flow restriction that meets the standard's water flow test requirement. The hydrant valve comes complete with standard "black" ("Red" is optional) plastic blank cap and chain. Alternative blank caps made of brass or gunmetal are also available upon request.

FEATURES

- Compact and elegant design with excellent flow characteristics
- High quality casting finishes
- Primary shut-off by rubber to metal and a secondary metal to metal seating
- Corrosion resistant and quality materials used for durability, long-life and efficiency
- Maintenance free

CONNECTIONS

Inlet : 65mm dia male BSPT

Outlet : 65mm BS336 female instantaneous



GF-S-65OBLP
"Oblique"



GF-S-65RALP
"Right-Angle"



GF-S-65BNLP
"Bib-Nose"



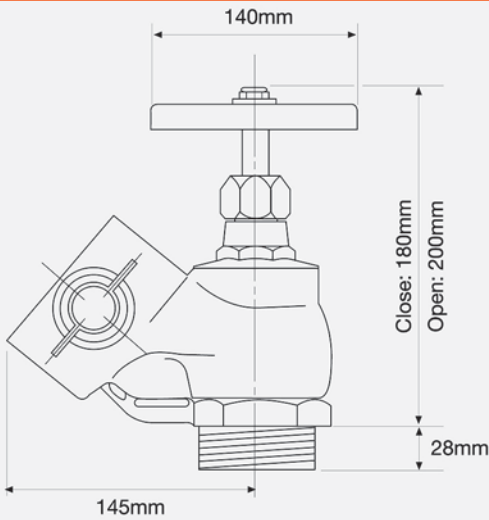
GF-S-65HRLP
"Horizontal"



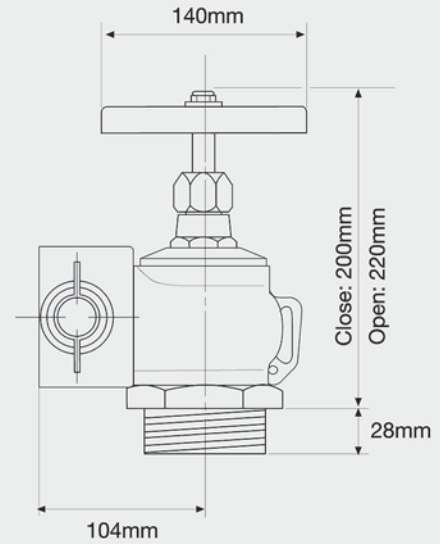
BSI Kitemark 634659

GLOBE PATTERN LANDING VALVES FLANGE SCREW TYPE

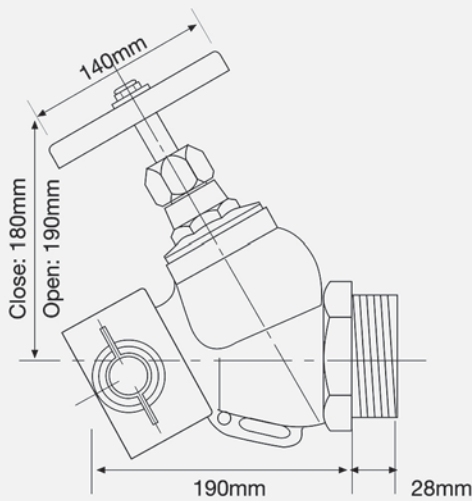
GF-S-65OBLP



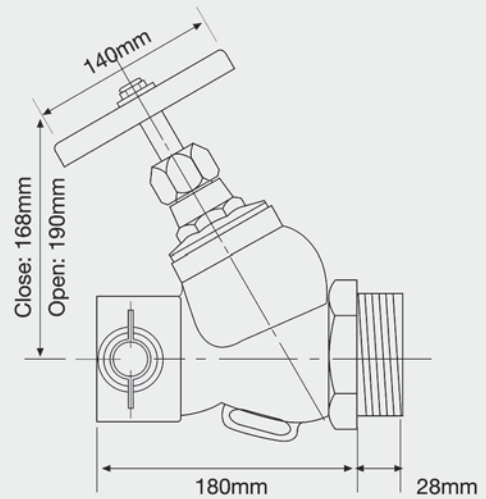
GF-S-65RALP



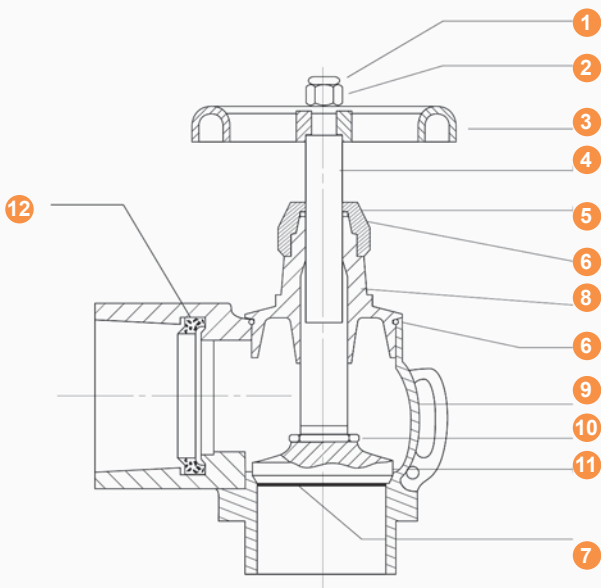
GF-S-65BNLP



GF-S-65HRLP



CROSS SECTION



- | | |
|----------------------|--|
| 1. Locknut | 7. Disk Rubber Facing |
| 2. Galvanized Washer | 8. Bonnet |
| 3. Handwheel | 9. Valve Body |
| 4. Steam | 10. Retaining Nut |
| 5. Gland Nut | 11. Disk |
| 6. 'O' Ring Seal | 12. Instantaneous Outlet Rubber Washer |

*All dimensions are shown in millimeters

*Due to improvement in design and standard, we reserve the right to change the specifications without prior notice



BSI Kitemark 634659